



ADDENDUM #1

AWARDING AUTHORITY: Town of Manchester-By-The-Sea, MA

PROJECT: Supply and Delivery of Aluminum Gangway
For Tuck’s Point Public Dock Improvement Project

DATE: April 29, 2021

TO: All Bidders

CONSULTING ENGINEER: Foth Infrastructure & Environment, LLC
15 Creek Road, Marion
MA 02738

The following items shall be modify or added to the Invitation for Bid (IFB). This Addendum forms part of the IFB and modifies the original bidding documents. Portions of the IFB not altered by this Addendum remain in full force.

This Addendum for part of the IFB and as such, **ALL BIDDERS SHOULD ACKNOWLEDGE IT ON THE BID FORM PROVIDED IN THE IFB. FAILURE TO DO SO COULD RESULT IN THE REJECTION OF YOUR BID.**

Notice is hereby given to any and all plan holders of record with the Owner for the project herein captioned “**Supply and Delivery of Aluminum Gangway for Tuck’s Point Public Dock Improvement Project**”, Owner of record being the Town of Manchester-By-The-Sea, MA, of the following amendments to the Contract:

I. INVITATION FOR BID (IFB)

SECTION I– GENERAL INFORMATION AND BID SUBMISSION REQUIREMENTS

Documents, Intent, Execution, Correlation:

DELETE the following: Sealed bids will be received by the Town of Manchester-by-the-Sea, MA until Monday, **May 3, 2021 at 2:00 P.M. local time**, at which time the bids will be opened and publicly read. No bid received after the date and time established herein for the opening of the bids will be considered.

REPLACE with the following: Sealed bids will be received by the Town of Manchester-by-the-Sea, MA until **Thursday, May 6, 2021 at 2:00 P.M. local time**, at which time the bids will be opened and publicly read. No bid received after the date and time established herein for the opening of the bids will be considered.

SECTION II – DESCRIPTION AND INSTRUCTIONS TO BIDDERS

Required Specifications:

This section of the IFB shall be deleted and replaced with the following: Supply and Delivery of one (1) 6’ wide x 80’ long (overall) MAAB/ADA compliant Aluminum Gangway having a live load

rating, 100 psf including hinge assembly (with pin and angle), top and bottom transition plates and padeye lifting plates as shown on the revised Contract Drawings (dated 04/29/2021) and attached to the Addendum herein. Supplier must provide stamped calculations and shop drawings for review/approval by the Town's Project Engineer prior to manufacturing.

Delivery:

This section of the IFB shall be deleted and replaced with the following: Delivery of the product shall be made to the Town of Manchester-By-The-Sea, Gravelly Pond Water Treatment Facility located at 2000 Pipeline Road, South Hamilton, MA 01936 and must be performed by bidder of this project. Delivery shall be made by no later than **September 30, 2021**. Charges pertaining to delivery, to avoid any/all damages to the gangway are to be included in the total bid price. Delivery shall be taken by the Contractor selected by the Town to install the gangway. The Bidder shall be responsible for the scheduling and coordinating the delivery of the gangway with the Town-selected Contractor. The Town DPW shall be notified at least three business days in advance of delivery.

BID FORM

The bid form issued with the IFB shall be replaced with the revised Bid Form dated 04/29/2021 and attached to the Addendum herein.

II. RESPONSE TO PLAN HOLDERS WRITTEN QUESTIONS:

All written questions submitted by interested bidders are presented below in *italics* followed by a response.

- 1. I wanted to request a copy of the planholders list for the aluminum gangway bid for tucks point. Our company is interested in bidding as a supplier and would like the list so that we may send our pricing to any general contractors.*

RESPONSE: A complete list of plan holders is available on the Town website: <https://www.manchester.ma.us/629/Bids-Quotes-and-Proposals>

- 2. The gangway must be fabricated in one piece correct?*

RESPONSE: Gangway may be fabricated in more than one piece with a spliced connection. This splice may be welded or bolted in the field. A welded connection is preferred. The gangway supplier must be able to guarantee that the splice will work for the design loads and provide documentation certifying the splice.

- 3. Your RFP requires the manufacture to deliver by July 31, 2021. Due to the effects of COVID 19 thru the marketplace and the limited amount of Aluminum Extruders with press sizing to produce large chord members for these long Spans, we could not deliver until Late September 2021. Its that workable of should we pass on this bid opportunity.*

RESPONSE: The gangway delivery date has been revised from July 31, 2021 to September 30, 2021 as stated above in Section I. of this Addendum.

Attachments (2):

Revised Bid Form (dated 04/29/2021);

Revised Contract Drawings Sheets S-003 & S-004 (dated 04/29/2021)

*****END OF ADDENDUM #1*****

BID FORM
(REVISED APRIL 29, 2021)

Aluminum Gangway
Tuck's Point Public Dock Improvement Project
Town of Manchester-By-The-Sea, MA

PURCHASE PRICE FOR Aluminum Gangway*: \$ _____

DELIVERY CHARGES: \$ _____

FINAL BID TOTAL: \$ _____

**Bid price to include all delivery charges to 2000 Pipeline Road, South Hamilton, MA 01936*

Delivery Date: _____

By signing this bid form, the bidder asserts that the vessel is in a condition for its intended purpose and the specification information provided to the Town of Manchester-By-The-Sea, MA herein is accurate.

(Name/Firm of Bidder)

(Name of Person Signing Bid) (Title of Person Signing Bid)

(Signature of Bidder) (Federal ID or Soc. Sec. No.)

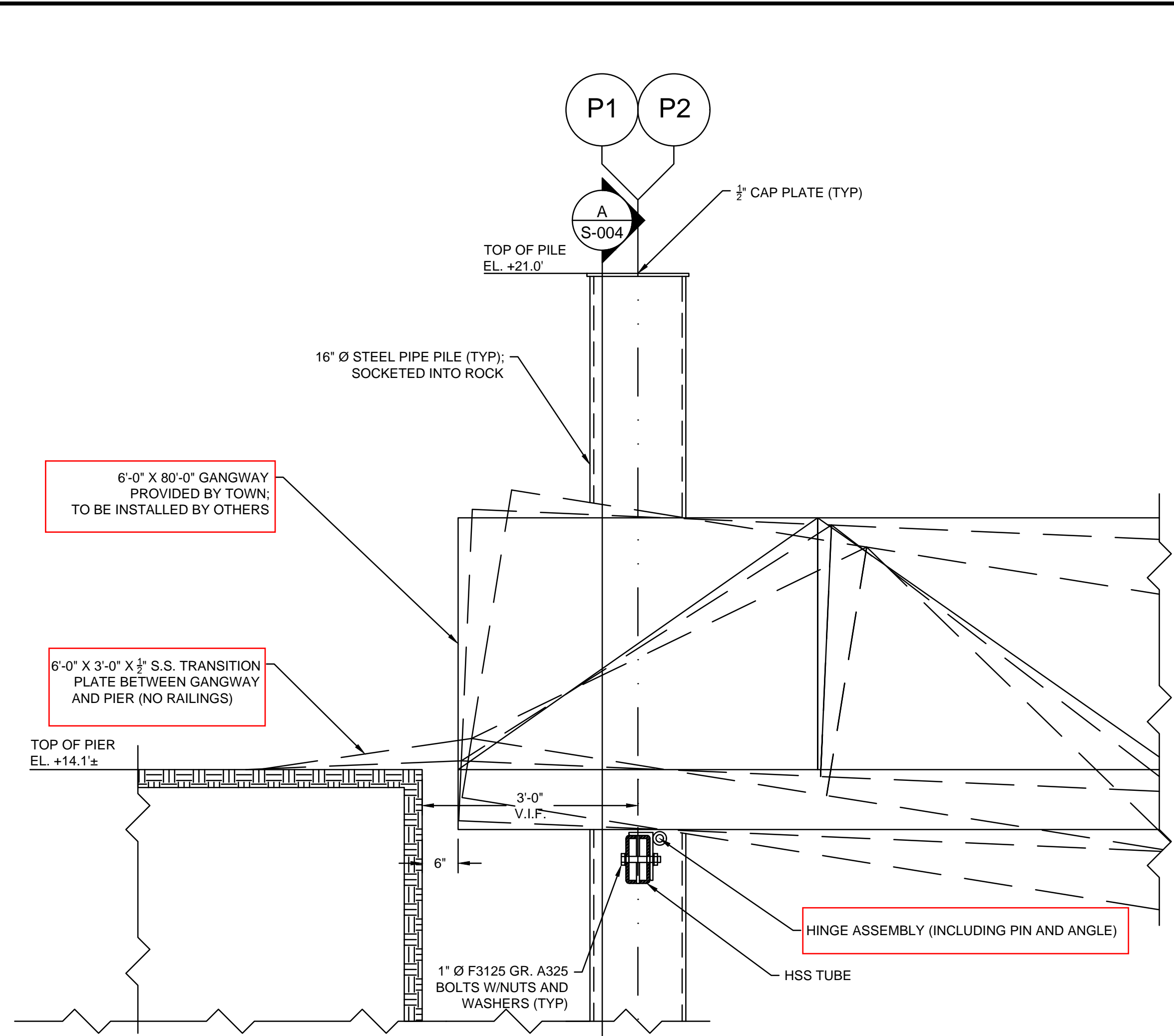
(Street Address)

(Town/City, State, Zip Code)

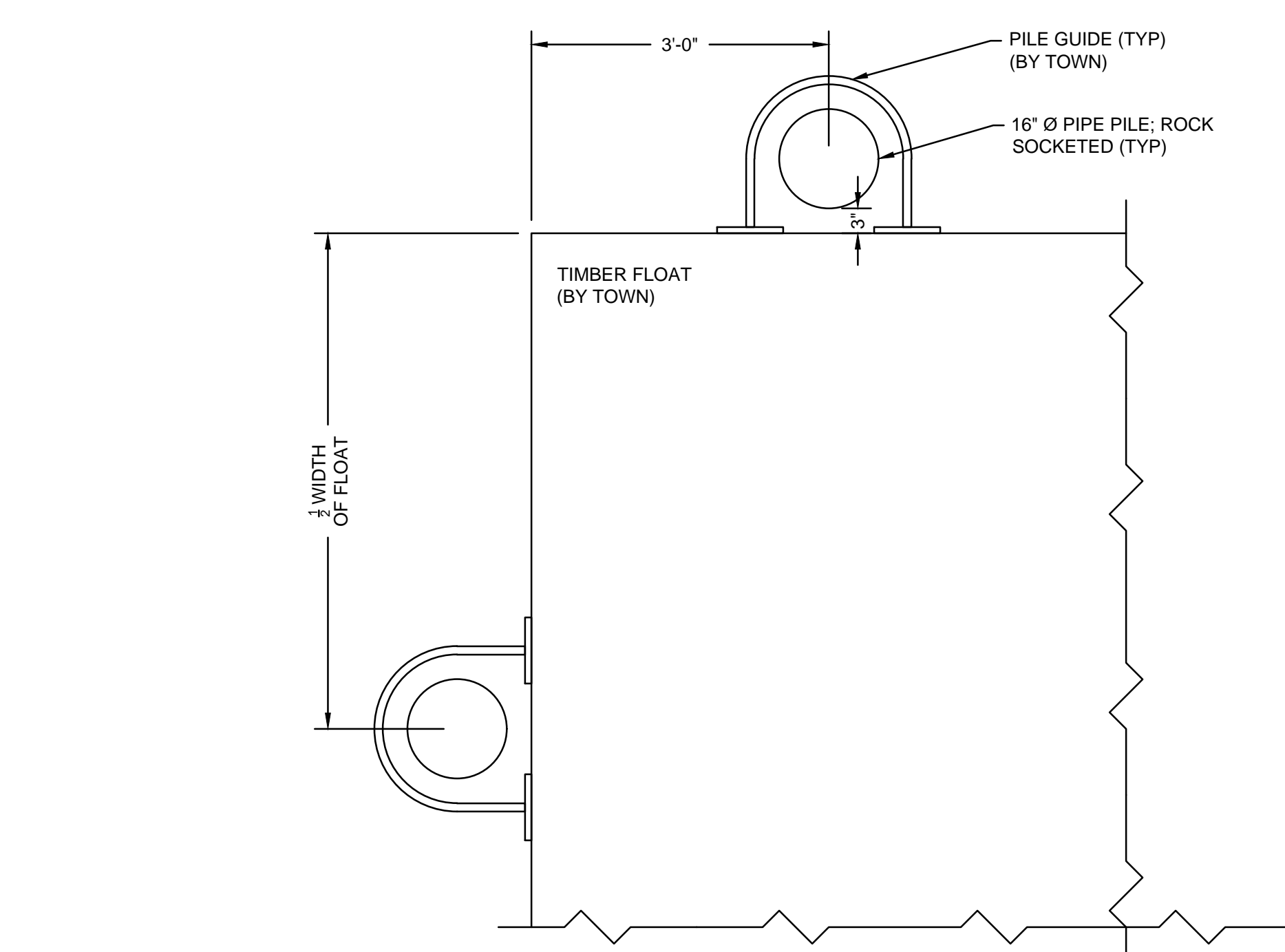
(Date)

Contractor acknowledges receipt of Addenda Nos. _____ through _____.

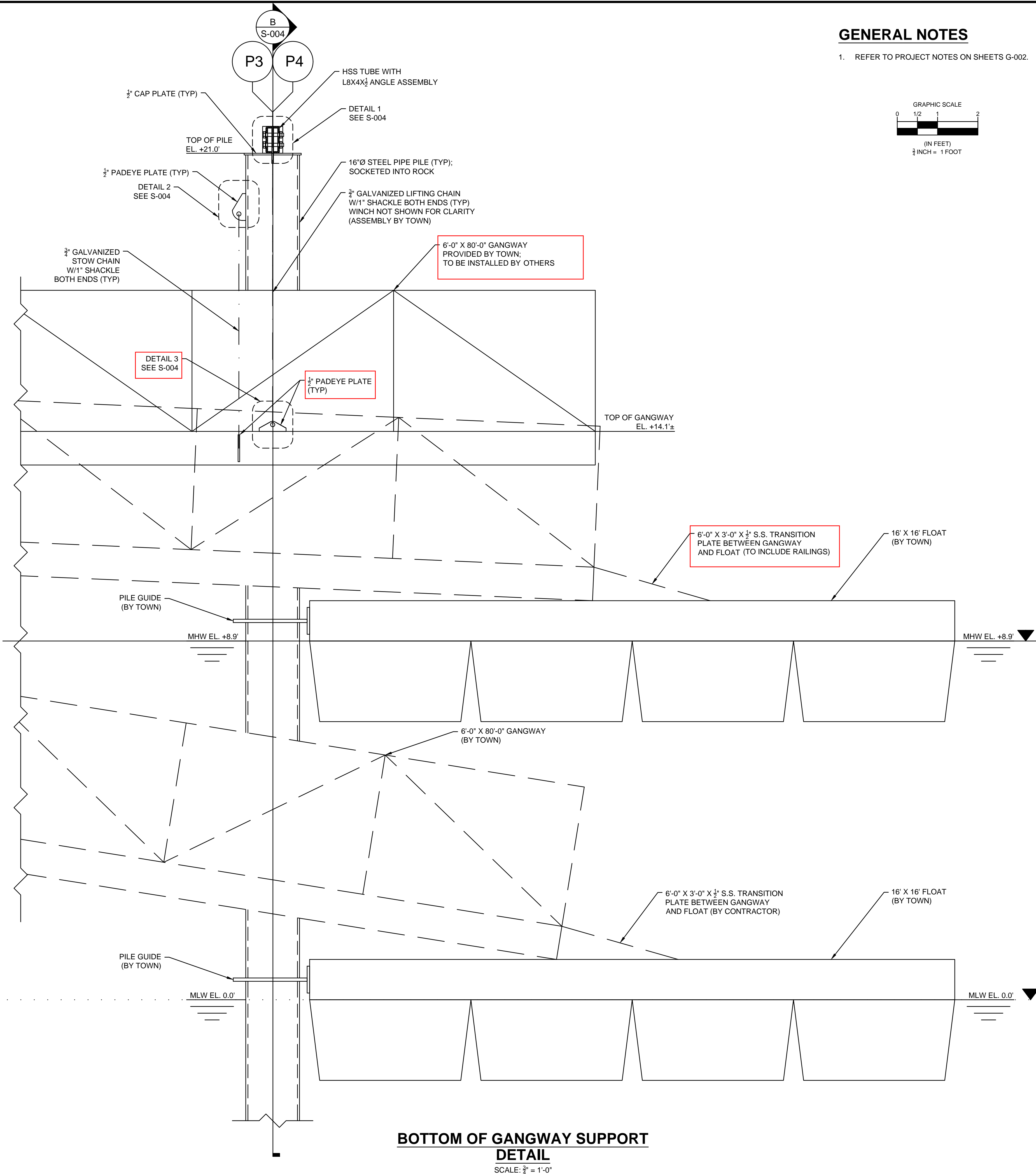
Thursday, April 15, 2021 12:02:02 PM
 FILE LOCATION: WORKING FOLDER FILE PATH
 DWG Filename: tucks pt details r1.dwg Layout: s-003



**TOP OF GANGWAY SUPPORT
 DETAIL**
 SCALE: 3/8" = 1'-0"



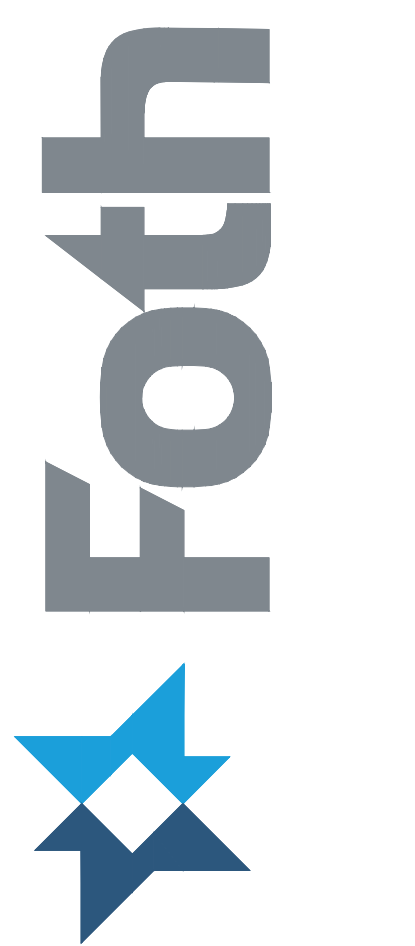
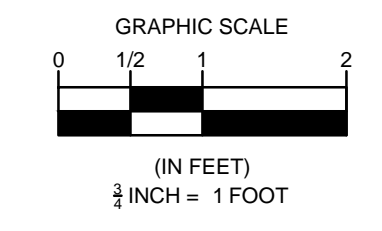
**TYPICAL LOCATION OF PILE
 GUIDES ON FLOAT**
 NOT TO SCALE



**BOTTOM OF GANGWAY SUPPORT
 DETAIL**
 SCALE: 3/8" = 1'-0"

GENERAL NOTES

1. REFER TO PROJECT NOTES ON SHEETS G-002.



TUCK'S POINT PUBLIC DOCK IMPROVEMENT PROJECT
 TOWN OF MANCHESTER-BY-THE-SEA
 10 CENTRAL ST.
 MANCHESTER-BY-THE-SEA, MA 01944

REVISIONS		DATE	DESCRIPTION
NO.	BY	DATE	DESCRIPTION
1	AMP	4/29/2021	ADDITIONAL GANGWAY CALLOUTS
2			
3			
4			

DATE OF PREPARATION

	BY	DATE
SURVEYED	FOTH	1/10/2020
DRAWN	AIM	3/29/2021
DESIGNED	AIM	3/29/2021
CHECKED	JSG	##/##/2021

SHEET TITLE:

**SECTIONS AND
 DETAILS
 SHEET 1 OF 3**

ISSUANCE:

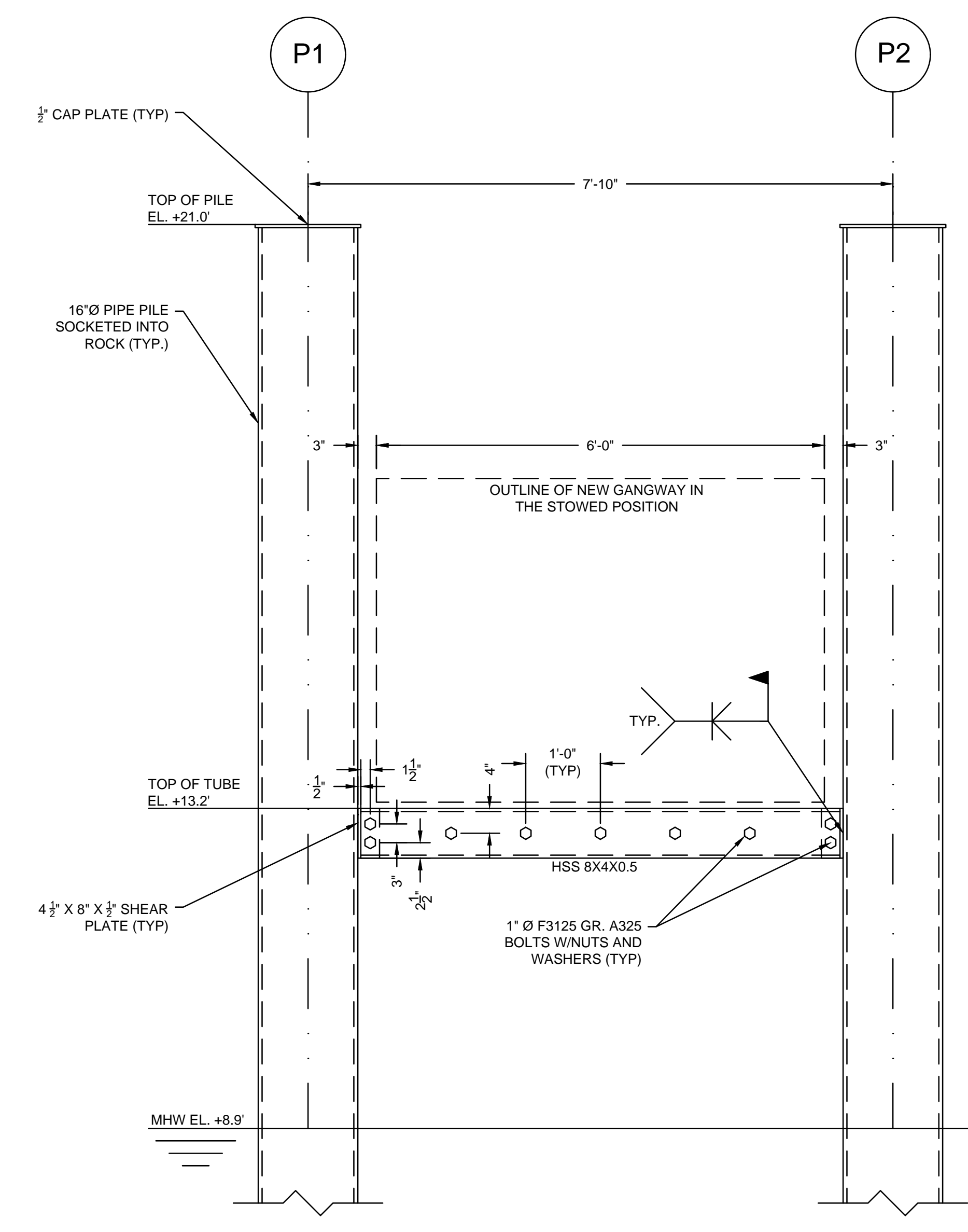
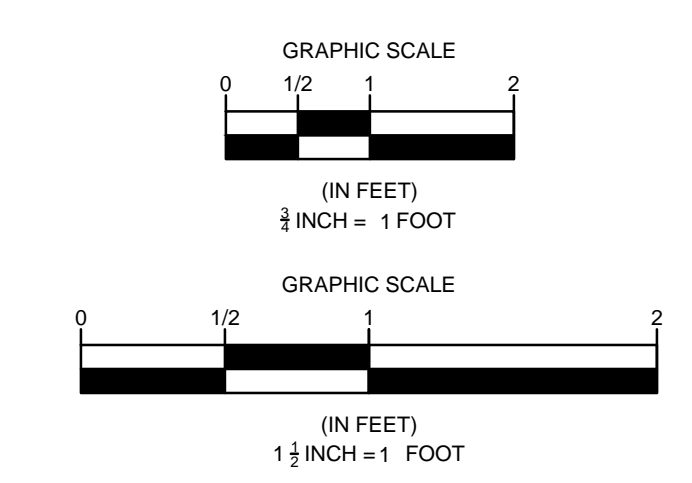
PROJECT NO: 19M153.00
 SHEET NUMBER

S-003

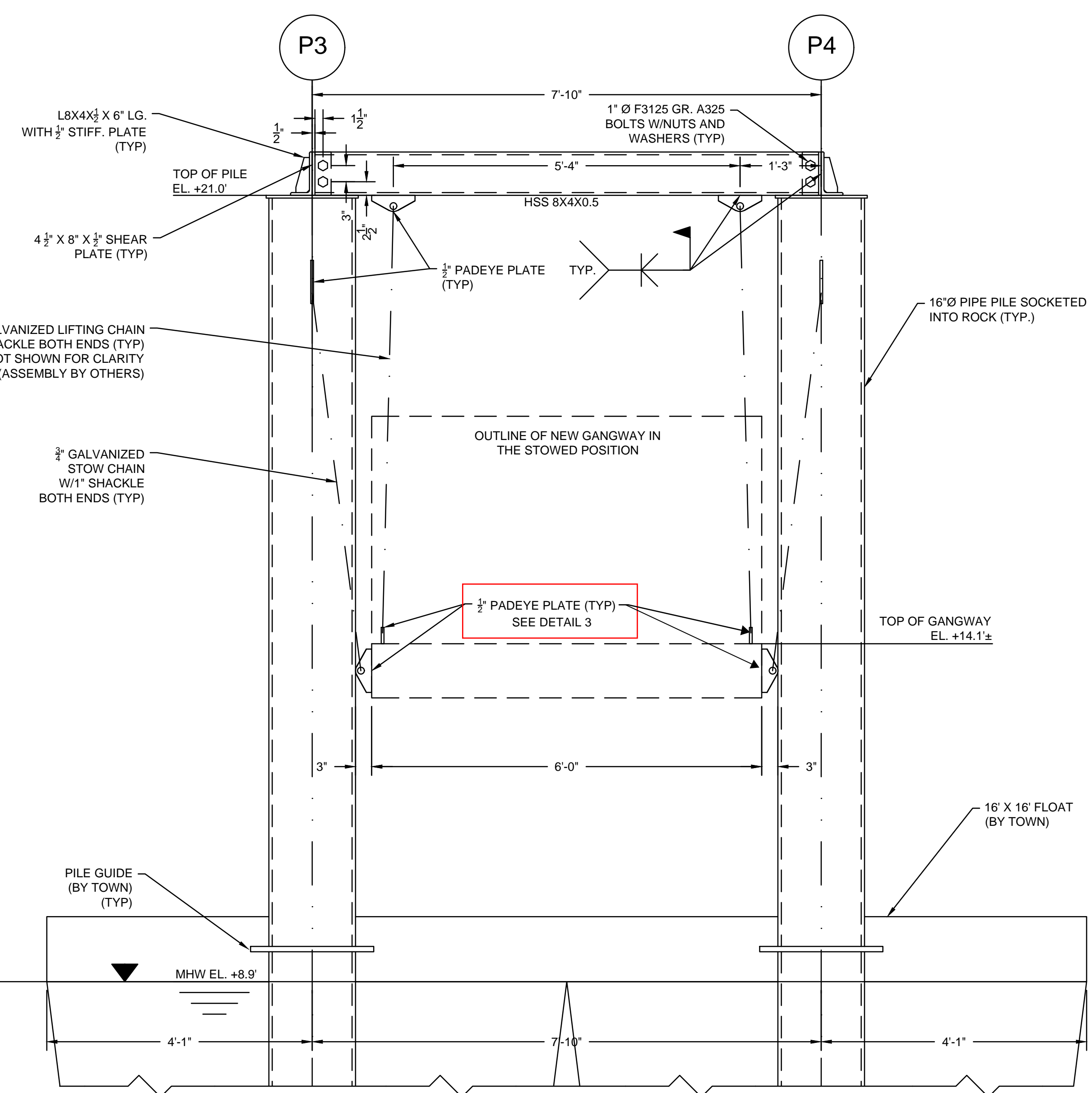
REVISED FOR ADDENDUM #1 ISSUED APRIL 29, 2021 FOR INFORMATION ONLY & PROCUREMENT OF MATERIALS

GENERAL NOTES

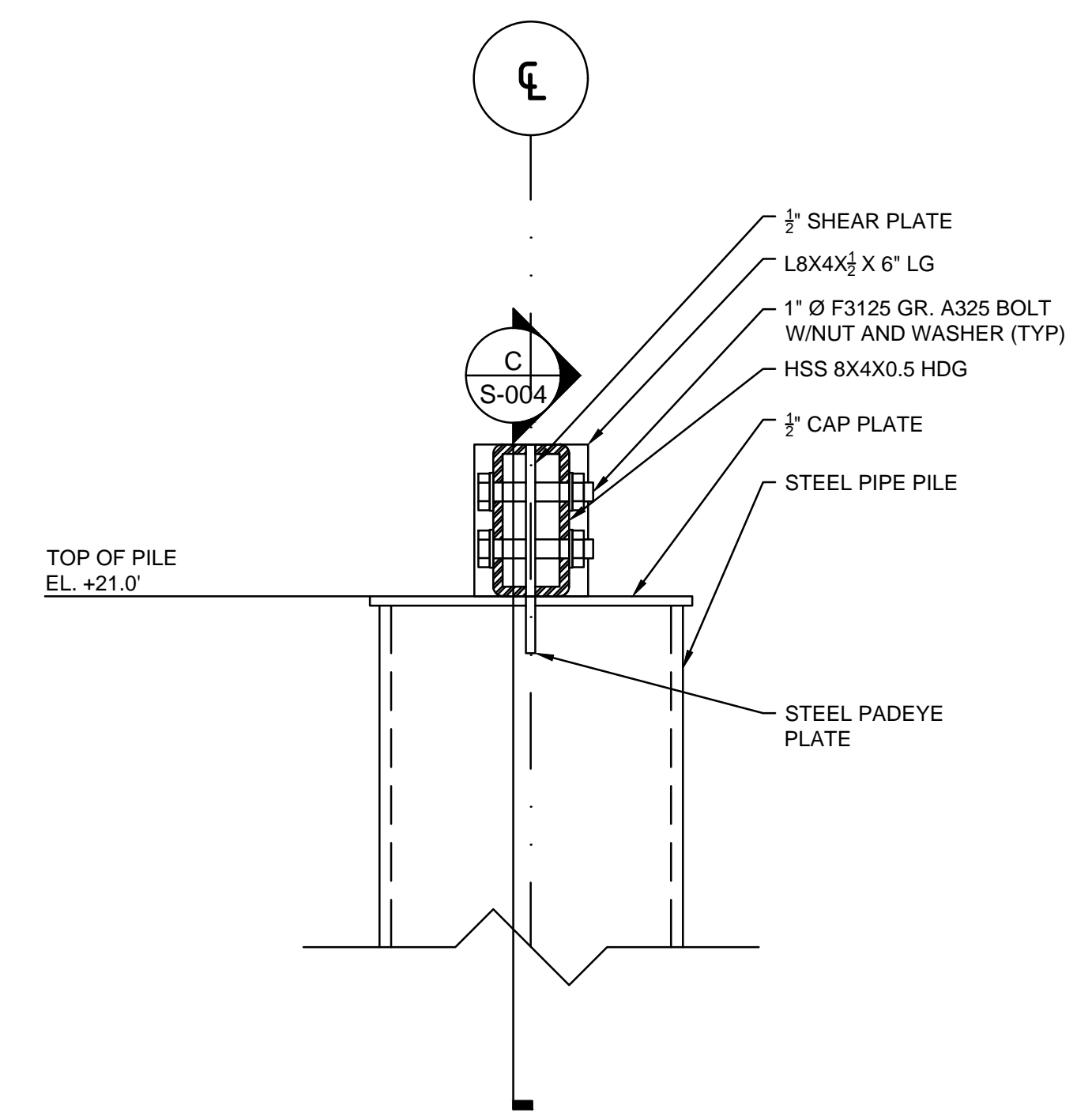
1. REFER TO PROJECT NOTES ON SHEETS G-002.



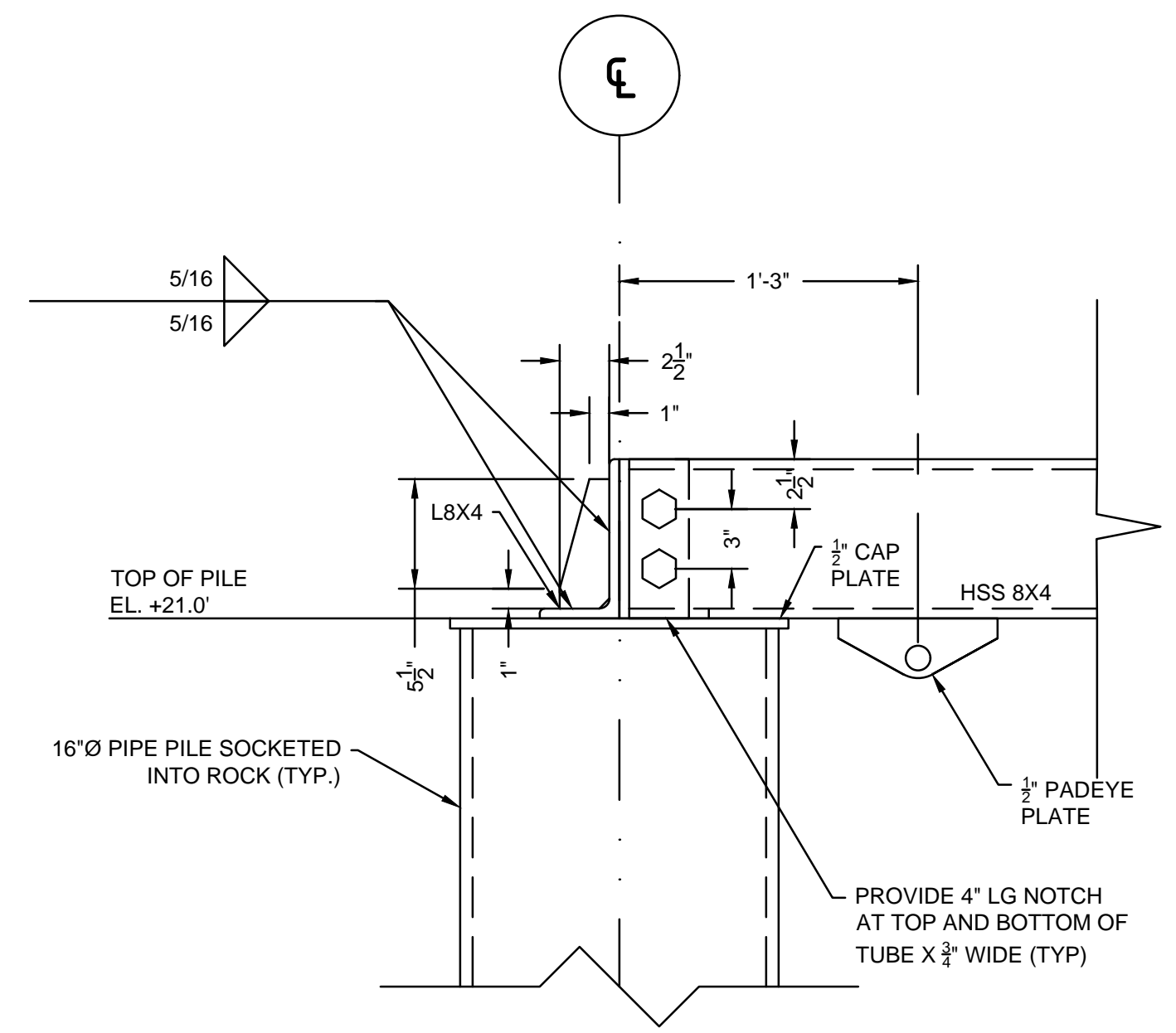
SECTION A
TOP OF GANGWAY SUPPORT
 SCALE: 1/2" = 1'-0"



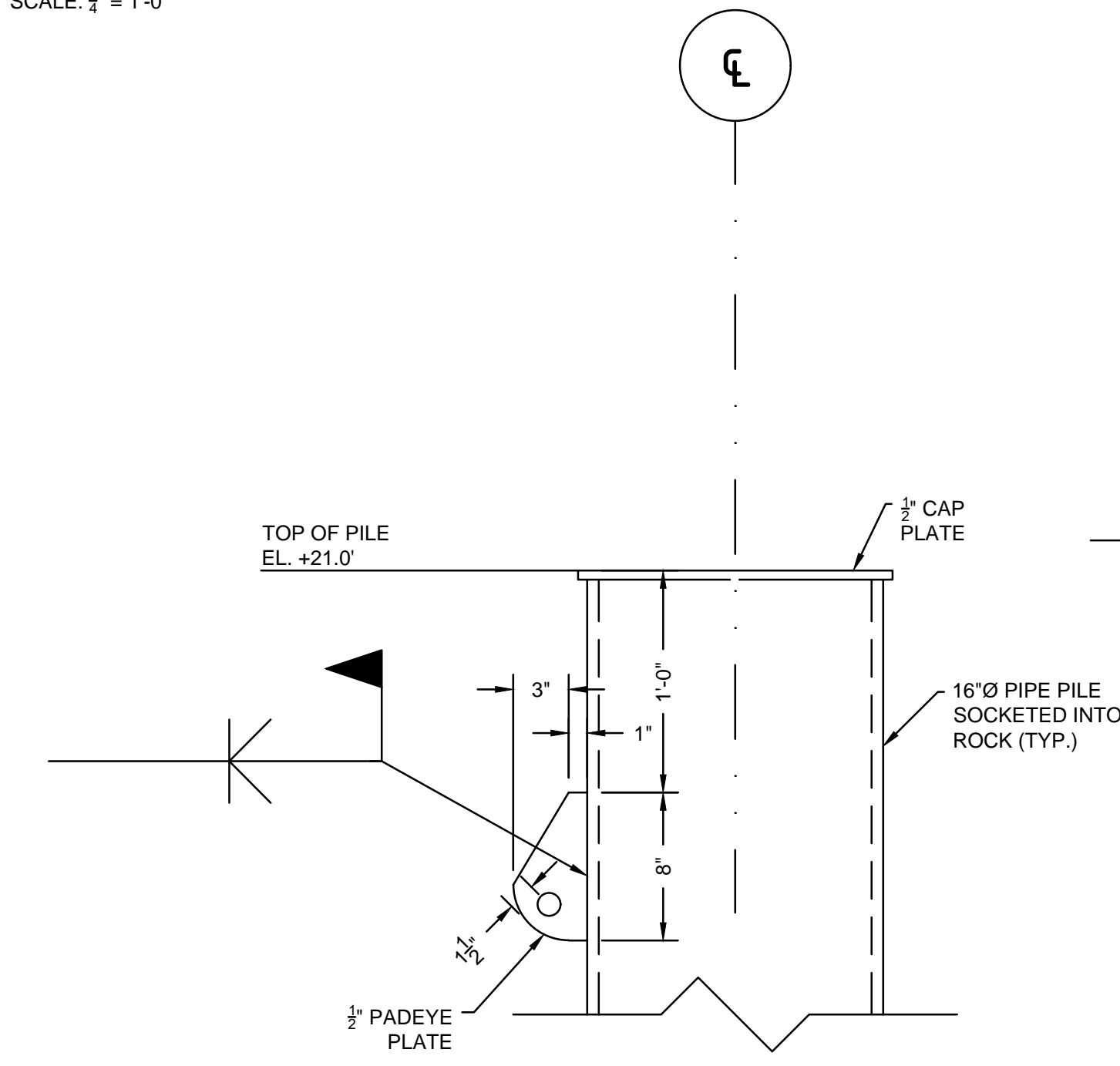
SECTION B
BOTTOM OF GANGWAY SUPPORT
 SCALE: 1/2" = 1'-0"



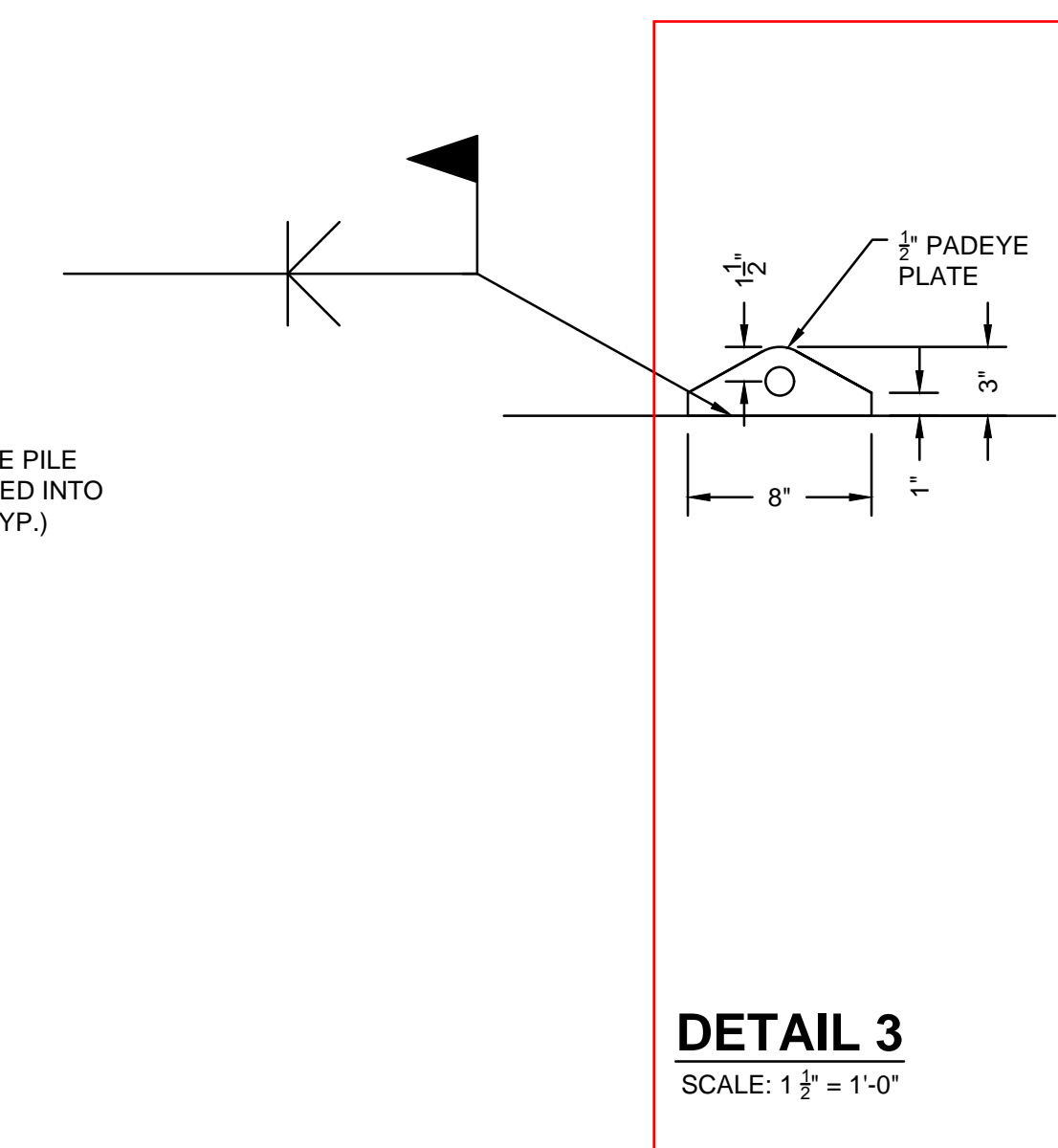
DETAIL 1
 SCALE: 1 1/2" = 1'-0"



SECTION C
TOP TUBE CONNECTION
 SCALE: 1 1/2" = 1'-0"



DETAIL 2
 SCALE: 1 1/2" = 1'-0"



DETAIL 3
 SCALE: 1 1/2" = 1'-0"

REVISIONS		DATE	DESCRIPTION
NO.	BY	DATE	DESCRIPTION
1	AMP	4/29/2021	ADDITIONAL GANGWAY CALLOUTS

DATE OF PREPARATION		
BY	FOTH	DATE
SURVEYED	1/10/2020	
DRAWN	AIM	3/29/2021
DESIGNED	AIM	3/29/2021
CHECKED	JSG	##/##/2021
SHEET TITLE:		
SECTIONS AND DETAILS		
SHEET 2 OF 3		
ISSUANCE:		
PROJECT NO:	19M153.00	
SHEET NUMBER	S-004	

Thursday, April 15, 2021 12:02:03 PM FILE LOCATION: WORKING FOLDER FILE PATH
 DWG Filename: tucks pt details r1.dwg Layout: s-004

REVISED FOR ADDENDUM #1 ISSUED APRIL 29, 2021 FOR INFORMATION ONLY & PROCUREMENT OF MATERIALS